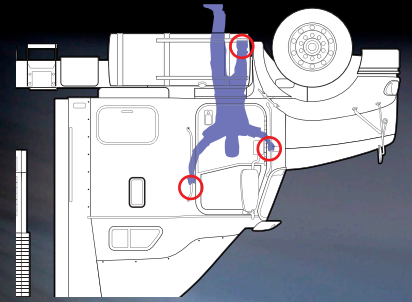


Fold in half at the top. Fold bottom edges toward each other, and tape to make the table tent stand upright.

United Heartland is the marketing name for United Wisconsin Insurance Company, a member of AF Group. All policies are underwritten by a licensed insurer subsidiary of AF Group.

UnitedHeartland.com 1-800-258-2667  UnitedHeartland

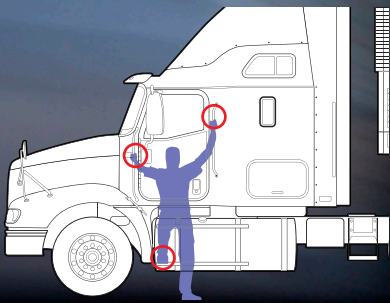
Safely entering or exiting a vehicle can be as important as how you drive it.  
**Use the three-point contact method...**  
Three of your four limbs must be in contact with your vehicle — two hands and one foot, or two feet and one hand. Use the three-point contact method to stay safer today. For more information, visit us at [UnitedHeartland.com/walksafe](http://UnitedHeartland.com/walksafe).



# Avoid a fall.

 | WalkSafe

 | WalkSafe



# Avoid a fall.

Safely entering or exiting a vehicle can be as important as how you drive it.

**Use the three-point contact method...**

Three of your four limbs must be in contact with your vehicle — two hands and one foot, or two feet and one hand. Use the three-point contact method to stay safer today. For more information, visit us at [UnitedHeartland.com/walksafe](http://UnitedHeartland.com/walksafe).



Founded in 1912, AF Group (Lansing, Mich.) and its subsidiaries are a premier provider of innovative insurance solutions. Rated "A-" (Excellent) by A.M. Best, AF Group is a nationally recognized holding company conducting business through its brands: Accident Fund, United Heartland, CompWest and Third Coast Underwriters.

Fold in half at the top. Fold bottom edges toward each other, and tape to make the table tent stand upright.